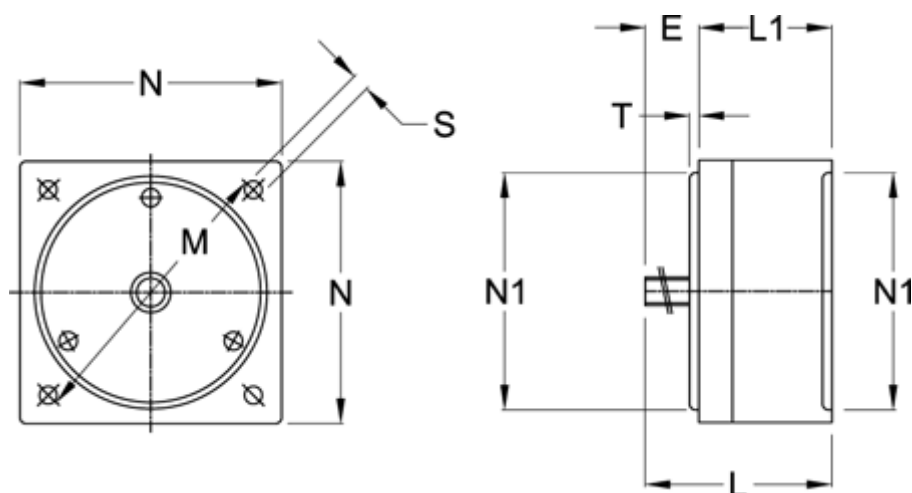


Article number: 72009010071

Description: Decimal Gear Head DDP10Y I=10
Pinion input

Measures



E = 18
L = 50
L1 = 32
M = 104
N = 90
N1 = 83
S = 4x \varnothing 6,5
T = 2